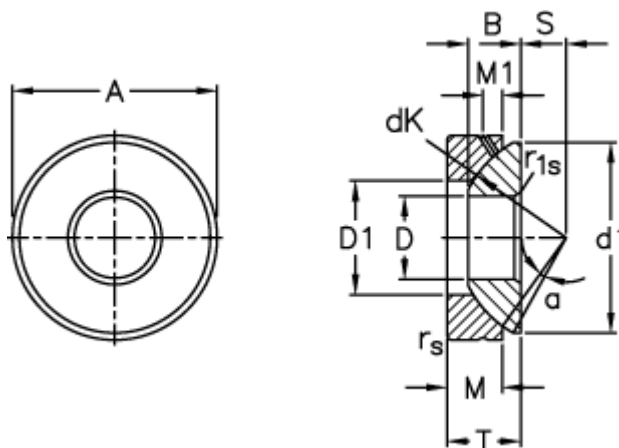


Article number: 03511020

Description: Fluro Rod end GE 20AX

Measures



A	= 55 0 -0,013	M1	= 6
B	= 14.5	rs, r1s min	= 1
D	= 20 0 -0,010	S	= 12.5
d1 max	= 50	Static axial load C0 (kN)	= 375
D1 min	= 31	T	= 20 +0,25 -0,40
dK	= 60	Tilt angle	= 5
Dynamic axial load C (kN)	= 75	Weight	= 246
M	= 13.8		